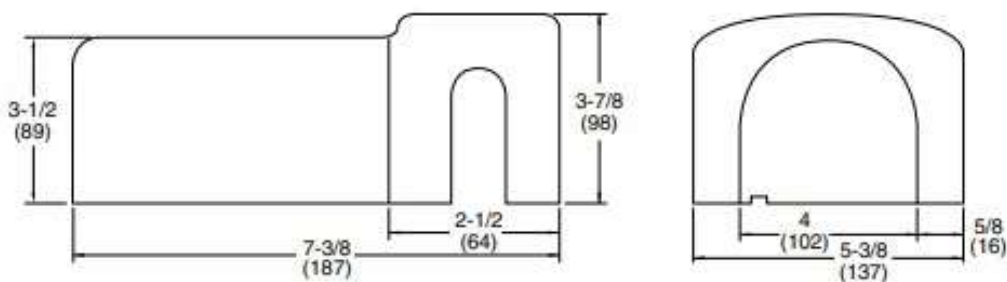
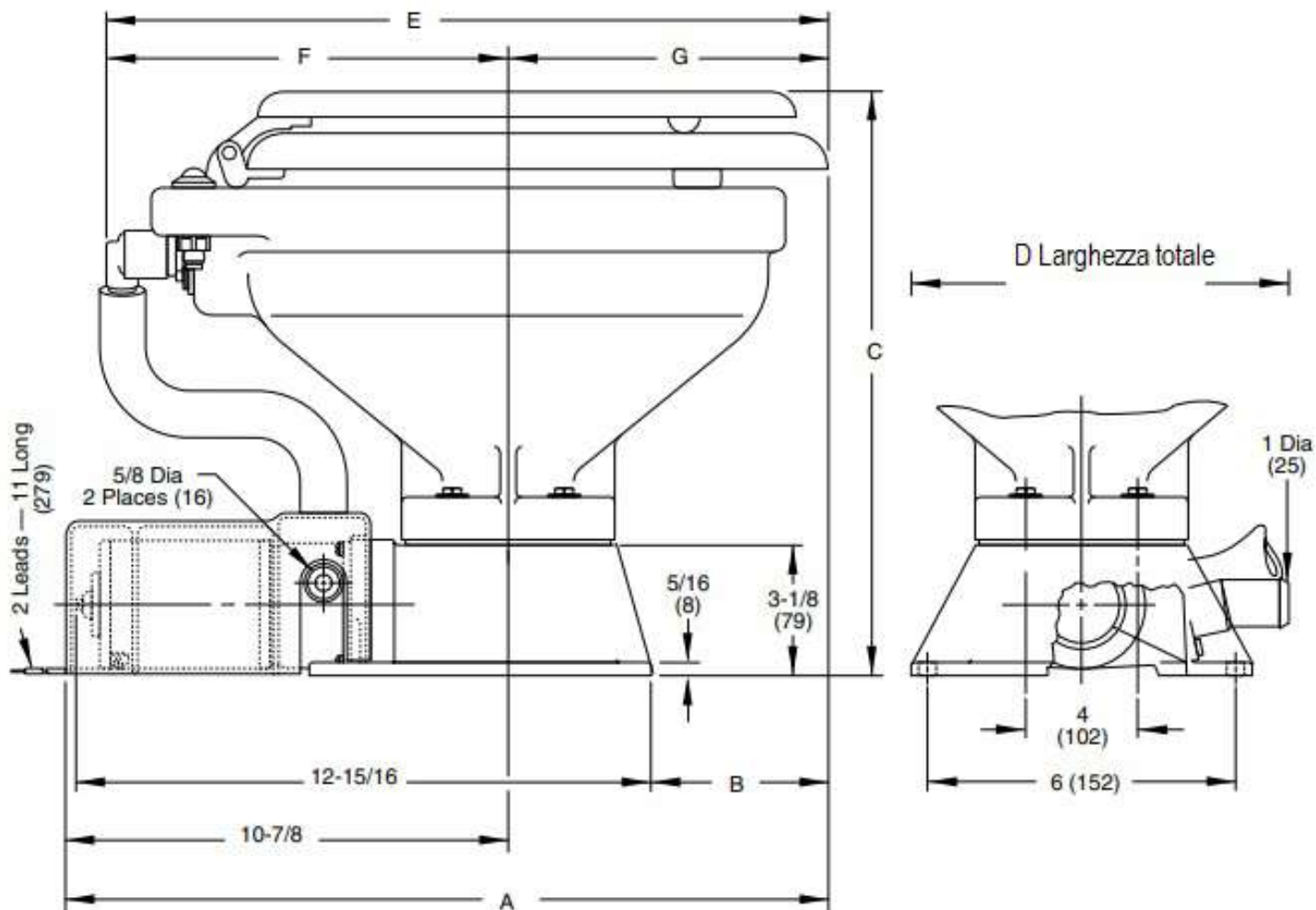


DISEGNO DIMENSIONI pollici (mm)



COPERCHIO MOTORE

	A	B	C	D	E	F	G
Toilet compact (tazza piccola)	19-3/4 (493)	4-13/16 (123)	13-13/16 (351)	13-7/8 (352)	17-3/4 (451)	9-7/8 (251)	7-5/8 (194)
Toilet standard (tazza grande)	21-3/4 (543)	5-11/16 (148)	14-5/8 (372)	14-3/4 (375)	19-3/4 (502)	11-1/4 (286)	8-1/2 (216)